

Volume 7, Issue 4
June 2, 2013

UNITED STATES BRIDGE CHAMPIONSHIPS

“Trials” and Tribulations

Day Two Results ... Into the Knockout Stage USA1

Team Name	Total	1	4	3	2	6	5
1. Aker	67.92		12.55	14.18	19.16	10.00	12.03
4. Robinson	59.35	7.45		9.09	14.60	11.48	16.73
3. Harris	54.33	5.82	10.91		5.40	19.16	13.04
2. Kolesnik	50.72	.84	5.40	14.60		12.03	17.85
6. Baseggio	41.51	10.00	8.52	.84	7.97		14.18
5. Ivatury	26.17	7.97	3.27	6.96	2.15	5.82	

Round of 16								
#	TEAM	TOTAL	1-15	16-30	31-45	46-60	61-75	76-90
3	Diamond	69	38	31				
14	Harris	23	6	17				
4	Gordon	99	55	44				
13	Robinson	35	8	27				
5	Spector	90	41	49				
12	Kolesnik	50	31	19				
6	Blanchard	43	4	39				
11	Kranyak	65	26	39				
7	Mahaffey	86	35	51				
10	Aker	37	30	7				
8	Milner	69	33	36				
9	Weinstein	61	34	27				

Jeff Aker,
Tommy Carmichael,
Doug Simson,
David Grainger



USBF President
George Jacobs

USBF Vice President
Howie Weinstein

USBF Secretary
Jan Martel

USBF Treasurer
Cheri Bjerkan

USBF Chief Operations Officer
Jan Martel

USBF Chief Financial Officer
Barbara Nudelman

Directors - USBC
Chris Patrias
Sol Weinstein

Operations Manager
Ken Horwedel

Appeals Administrator
Robb Gordon

Appeals Committee:
Bart Bramley
Larry Cohen
Steve Garner
Gail Greenberg
Gaylor Kasle
Stephen Landen
John Lusky
Dan Morse
Beth Palmer
Kerri Sanborn
Ron Smith
Adam Wildavsky

VuGraph Organizers
Jan Martel
Joe Stokes

Bulletin Editor
Suzi Subeck

Photographer
Peg Kaplan

Local Hospitality Chairs

Lisa Berkowitz
Molly O'Neill

Webmaster
Kitty Cooper

In Seeding Order

I have a new philosophy. I'm only going to dread one day at a time.

Charles M. Schulz

Fleisher	Martin Fleisher, Capt Zia Mahmood Michael Rosenberg	Michael Kamil Chip Martel Chris Willenken
Bye to Rnd of 8		
Nickell	Frank Nickell, Capt Eric Rodwell Bobby Levin	Ralph Katz Jeff Meckstroth Steve Weinstein
Bye to Rnd of 8		
Diamond	John Diamond, Capt Eric Greco	Brian Platnick Geoff Hampson
Gordon	Mark Gordon, Capt David Berkowitz Jacek Pszczola	Pratap Rajadhyaksha Alan Sontag Michael Seamon
Spector	Warren Spector, Capt Fred Gitelman Joe Grue	Michael Becker Brad Moss Curtis Cheek
Blanchard	Robert Blanchard, Capt Joel Wooldridge Justin Lall	Shane Blanchard John Hurd Robert Hamman
Mahaffey	Jim Mahaffey, Capt Gary Cohler Marc Jacobus	Brian Glubok Sam Lev Mike Passell
Milner	Reese Milner, Capt Neil Chambers Chris Compton	Hemant Lall John Schermer Eddie Wold
Kranyak	John Kranyak, Capt Kevin Dwyer	Gavin Wolpert Kevin Bathurst
Weinstein	Howard Weinstein, Capt Larry Robbins Mark Feldman	Ross Grabel Nikolay Demirev Bill Pollack
Aker	Jeff Aker, Capt Barry Rigal Dennis Clerkin	Doug Simson Glenn Milgrim Jerry Clerkin
Kolesnik	Alex Kolesnik, Capt Bob Etter David Yang	Jim Munday Robert Morris Greg Hinze
Harris	Martin Harris, Capt David Grainger	Jacob Morgan Tom Carmichael
Robinson	Steve Robinson, Capt Kit Woolsey Roger Lee	Peter Boyd Fred Stewart Adam Kaplan
Ivatury	Uday Ivatury, Capt Lapt Chan Andrew Rosenthal	Christal Henner Sheri Winestock Aaron Silverstein
Baseggio	Franco Baseggio, Capt Ai-Tai Lo Walter Lee	Andrew Stark Alan Schwartz Jiang Gu



Gary Cohler

More from the Round Robin...

Board 8
Dealer: W
None Vul.

♠ T873
♥ 9
♦ QT86
♣ AQ74

♠ A6
♥ A8754
♦ A974
♣ 98



♠ J54
♥ KQT62
♦ K532
♣ 3

♠ KQ92
♥ J3
♦ J
♣ KJT652

West	North	East	South
1H	Pass	4H	All Pass

Barry Rigel reported two interesting hands from Saturday's Round Robin.

At his table, the heart nine was led and won in Dummy with the king.

A club followed to South's ten. South exited with the jack of diamonds. Barry suggests that declarer win the ace of diamonds, trump a club, and lead the heart queen to the ace.

Declarer should now play the spade six and duck when North plays his seven!

North exits with the queen of diamonds. Declarer wins his king, plays a spade to the ace, crosses to Dummy with a heart and plays the jack of spades, discarding a diamond.

Poor South must lead a black suit giving declarer a ruff and sluff. Making four!

Board 52
Dealer: W
All Vul.

♠ 7
♥ J963
♦ Q7654
♣ QJ4

♠ T9
♥ AT42
♦ AT2
♣ T652



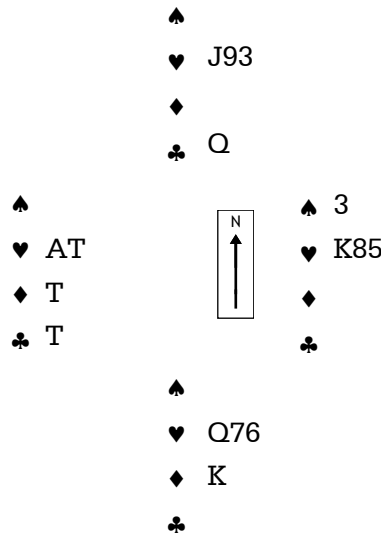
♠ AKQJ53
♥ K85
♦ J
♣ AK8

♠ 8642
♥ Q7
♦ K983
♣ 973

Barry's second hand is Board 52 from the seventh session of the round robin. This board produced a 17 IMP swing in the match between Aker and Robinson. Both tables played 6S. On a passive trump lead, there is really no best line of play.

The declarer who played on clubs succeeded. He drew trump, cashing the club ace and then ducked a club. If the clubs don't work, this leaves open the possibility of a club-heart squeeze. The other declarer attacked hearts and failed. Since the heart and club spots are essentially the same, it seems there is no reason to choose one suit over the other.

After discussion among the tournament participants, it was concluded that on a diamond lead, it is best to "duck" to the singleton jack! First, holding the queen-nine, or its equivalent, and not the king, North might actually duck and allow the jack to win the trick. If North wins the diamond trick and shifts to a trump, you win the trump, cash the AK of clubs and cross to the spade ten. Now you ruff a club high, hoping clubs split 3-3. If this doesn't work, you can reduce to a hypothetical ending such as:



On the last trump, South must unguard hearts, dummy pitches a diamond and North is squeezed in hearts and clubs.

(continued on page 4)

A Tale of Three Heart Slams...

Board 67
Dealer: S
E/W Vul.

♠ AQJ874
♥ 4
♦ 9
♣ A9854

♠
♥ KT752
♦ KQJT3
♣ KT6



♠ K653
♥ AJ83
♦ A7
♣ QJ3

♠ T92
♥ Q96
♦ 86542
♣ 72

West	North	East	South
Baseggio	Morris	Stark	Etter
			Pass
1H	4S	5H	Pass
6H	All Pass		

The ninth segment of the Round Robin was a story of heart slams. In the Open room of the Baseggio-Aker match both sides bid all three of their slams.

On Board 67, Baseggio-Stark were forced to guess at a high level.

Baseggio, West, opened one heart in second seat. Bob Morris jumped to four spades on the North hand, holding six good spades and five clubs to the ace on the side. Stark bid five hearts and Baseggio bid six hearts despite his lack of aces.

Morris declined to double with his two aces and South, Doug Simson, considered sacrificing, but finally passed. With the favorable club lie and good spade spots, six spades can only be defeated three tricks.

Baseggio went with the odds of playing the non-preemptor for heart length. He finessed South for the queen of trumps and chalked-up 1430.

Board 68
Dealer: W
Both Vul.

♠ AT42
♥ T92
♦ KJ9
♣ Q75

♠ J96
♥ AKJ8765
♦ T32
♣



♠ KQ73
♥ Q3
♦ A
♣ AKT832

♠ 85
♥ 4
♦ Q97654
♣ J964

Baseggio	Morris	Stark	Etter
3H	Pass	4C (RKC)	Pass
4S (2 without the queen)	6H	All Pass	

On the very next deal, Baseggio/Stark used a handy ace asking convention to reach six hearts.

They bid four clubs (see above) as RKC for hearts. The four spade response showed two keycards without the queen of trumps.

Baseggio won the diamond lead, cashed two hearts ending in dummy and discarded diamonds on the AK of clubs. He trumped a club high, drew the last trump and conceded the ace of spades.

Again, he successfully made six hearts.



(continued on page 14)

Carlin Quotes

Have you ever noticed that anybody driving slower than you is an idiot, and anyone going faster than you is a maniac?
George Carlin

Some people see things that are and ask, Why? Some people dream of things that never were and ask, Why not? Some people have to go to work and don't have time for all that. **George Carlin**

The very existence of flame-throwers proves that some time, somewhere, someone said to themselves, You know, I want to set those people over there on fire, but I'm just not close enough to get the job done. **George Carlin**

I was thinking about how people seem to read the Bible a whole lot more as they get older; then it dawned on me - they're cramming for their final exam. **George Carlin**

Frisbeetarianism is the belief that when you die, your soul goes up on the roof and gets stuck. **George Carlin**

Just cause you got the monkey off your back doesn't mean the circus has left town. **George Carlin**

Don't sweat the petty things and don't pet the sweaty things. **George Carlin**

I'm completely in favor of the separation of Church and State. My idea is that these two institutions screw us up enough on their own, so both of them together is certain death.
George Carlin

I went to a bookstore and asked the saleswoman, 'Where's the self-help section?' She said if she told me, it would defeat the purpose. **George Carlin**

Inside every cynical person, there is a disappointed idealist. **George Carlin**

The reason I talk to myself is that I'm the only one whose answers I accept. **George Carlin**

If it's true that our species is alone in the universe, then I'd have to say the universe aimed rather low and settled for very little. **George Carlin**

Most people work just hard enough not to get fired and get paid just enough money not to quit.
George Carlin

Electricity is really just organized lightning. **George Carlin**

'I am' is reportedly the shortest sentence in the English language. Could it be that 'I do' is the longest sentence?
George Carlin

When you're born you get a ticket to the freak show. When you're born in America, you get a front row seat.
George Carlin

People who say they don't care what people think are usually desperate to have people think they don't care what people think. **George Carlin**

May the forces of evil become confused on the way to your house. **George Carlin**

Always do whatever's next. **George Carlin**

Atheism is a non-prophet organization. **George Carlin**

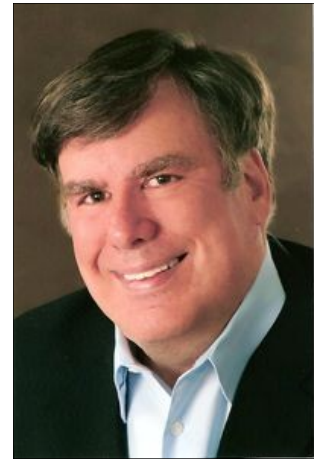
I have as much authority as the Pope, I just don't have as many people who believe it.
George Carlin

The other night I ate at a real nice family restaurant. Every table had an argument going.
George Carlin

(Editor's note: It must have been between sessions!!)



USA1 ROUND OF SIXTEEN		
CAPTAINS' MEETING IN PLAYING AREA AFTER ROUND ROBIN		
SATURDAY JUNE 1ST	3:45 - 5:55 6:10 - 8:20	SEGMENT 1 BOARDS 1-15 SEGMENT 2 BOARDS 16-30
SUNDAY JUNE 2ND	10:00 - 12:10 12:25 - 2:35 2:35 - 3:45 3:45 - 5:55 6:10 - 8:20	SEGMENT 3 BOARDS 31-45 SEGMENT 4 BOARDS 46-60 1 HOUR 10 MINUTE BREAK SEGMENT 5 BOARDS 61-75 SEGMENT 6 BOARDS 76-90
USA1 QUARTERFINALS & USA2 ROUND OF 64 (8 TEAM KO OR 6 OR 7 TEAM ROUND ROBIN)		
MONDAY JUNE 3RD	10:00 - 12:10 12:25 - 2:35 2:35 - 3:45 3:45 - 5:55 6:10 - 8:20	SEGMENT 1 BOARDS 1-15 SEGMENT 2 BOARDS 16-30 1 HOUR 10 MINUTE BREAK SEGMENT 3 BOARDS 31-45 SEGMENT 4 BOARDS 46-60
TUESDAY JUNE 4TH	10:00 - 12:10 12:25 - 2:35 2:35 - 3:45 3:45 - 5:55 6:10 - 8:20	SEGMENT 5 BOARDS 61-75 SEGMENT 6 BOARDS 76-90 1 HOUR 10 MINUTE BREAK SEGMENT 7 BOARDS 91-105 SEGMENT 8 BOARDS 106-120
USA1 SEMI-FINALS & USA 2 ROUND OF 32		
WEDNESDAY JUNE 5TH	10:00 - 12:10 12:25 - 2:35 2:35 - 3:45 3:45 - 5:55 6:10 - 8:20	SEGMENT 1 BOARDS 1-15 SEGMENT 2 BOARDS 16-30 1 HOUR 10 MINUTE BREAK SEGMENT 3 BOARDS 31-45 SEGMENT 4 BOARDS 46-60
USA1 SEMI-FINAL & USA2 ROUND OF 16 (TIMES ARE SAME, BOARD NUMBERS START AT 1)		
THURSDAY JUNE 6TH	10:00 - 12:10 12:25 - 2:35 2:35 - 3:45 3:45 - 5:55 6:10 - 8:20	SEGMENT 5 BOARDS 61-75 SEGMENT 6 BOARDS 76-90 1 HOUR 10 MINUTE BREAK SEGMENT 7 BOARDS 91-105 SEGMENT 8 BOARDS 106-120
USA 1 FINAL & USA2 QF		
FRIDAY JUNE 7TH	10:00 - 12:10 12:25 - 2:35 2:35 - 3:45 3:45 - 5:55 6:10 - 8:20	SEGMENT 1 BOARDS 1-15 SEGMENT 2 BOARDS 16-30 1 HOUR 10 MINUTE BREAK SEGMENT 3 BOARDS 31-45 SEGMENT 4 BOARDS 46-60
USA1 FINAL & USA2 SEMI-FINAL (BOARDS 1-60)		
SATURDAY JUNE 8TH	10:00 - 12:10 12:25 - 2:35 2:35 - 3:45 3:45 - 5:55 6:10 - 8:20	SEGMENT 5 BOARDS 61-75 SEGMENT 6 BOARDS 76-90 1 HOUR 10 MINUTE BREAK SEGMENT 7 BOARDS 91-105 SEGMENT 8 BOARDS 106-120
USA2 SEMI-FINAL		
SUNDAY JUNE 9TH	10:00 - 12:10 12:25 - 2:35 2:35 - 4:00	SEGMENT 5 BOARDS 61-75 SEGMENT 6 BOARDS 76-90 1 HOUR 25 MINUTE BREAK
USA2 FINAL		
SUNDAY JUNE 9TH	4:00 - 6:10 6:25 - 8:35	SEGMENT 1 BOARDS 1-15 SEGMENT 2 BOARDS 16-30
MONDAY JUNE 10TH	10:00 - 12:10 12:25 - 2:35 2:35 - 3:45 3:45 - 5:55 6:10 - 8:20	SEGMENT 3 BOARDS 31-45 SEGMENT 4 BOARDS 46-60 1 HOUR 10 MINUTE BREAK SEGMENT 5 BOARDS 61-75 SEGMENT 6 BOARDS 76-90



Mike Passell

Knockout Stage



Schedule



Jim Mahaffey,
A much appreciated
supporter of the USBF
Junior Program

Junior Page ...

Board 11 ♠ KT943
 Dealer: S ♥ 93
 None Vul. ♦ 762
 ♣ A52

♠ 65 ♠ A8
 ♥ 8 ♥ AKQJ654
 ♦ AKQJ9852 ♦ T5
 ♣ 74 ♣ KQ

♠ QJ72
 ♥ T72
 ♦
 ♣ JT9863



West	North	East	South
Gianni Hsieh	Ruth Ng	Brandon Harper	Jason Miller
			Pass
3NT (gambling... solid suit no outside A/K)	Pass	6NT	All Pass

There was no need for East to explore. All he had to do was trust partner, and he did just that.

The 3NT opening bid showed a solid seven or eight card minor suit with no outside aces or kings.

East could count twelve tricks and knew the opponents held the ace of clubs. 6NT is a perfect contract unless partner holds a void club, in which case 7D will probably make. There are potential methods of diagnosing voids after a gambling 3NT opener, but those methods are not in our repertoire. Only an expert partnership should even consider worrying about these situations. Our responses to a Gambling 3NT are:

- 4 C: Pass or Correct to 4D
- 4 D: Asks for shortness
 - 4H = Short Hearts
 - 4S = Short Spades
 - 4N = No Shortness (7-2-2-2)
 - 5C = Short Diamonds
 - 5D = Short Clubs
- 4H: Natural
- 4S: Natural
- 5C: Pass or Correct to 5D
- 5D: To Play (Responder knows Opener has Diamonds)
- 6C: Pass or Correct to 6D
- 6D: To Play (Responder knows Opener has Diamonds)

Ellie Fashingbauer, USBF Junior Training Participant from District 13, prepares for the competition in Atlanta, playing with her favorite Junior partner, Gianni Hsieh.

Fashingbauer and Hsieh have been playing as a partnership for some time. Ellie's mom and dad both play avidly. In fact, her dad will be representing District 8 in the Championship Flight of the GNT in Atlanta this August.



4NT and 5NT are not well-defined and probably should be reserved for specialized use in very experienced expert partnerships.

Some Nearby Suggestions For Your Dining Pleasure



Appetizers

MoonFish Steak Tar-Tar
Crackling Five Spice Calamari Kung Pao
Toasted Coconut Shrimp
Crab Louis Wonton
Sesame Duck Carpaccio
Seared Rare Tuna Sashimi
Shrimp Remoulade
Moonfish Seafood Cocktail
Crab Cake
Crispy Almond Fried Lobster Tails
Wok-Fried Soft Shell Crab
Beefsteak Tomato and Buffalo Mozzarella
Alaskan King Crab
Crab Claws
Tuna Tar-Tar Tacos
Bait Bar Sampler
Thai Red Curry Mussels
Mariniere Mussels

Fresh Shellfish Bar

Baked Oysters Rockefeller
Coast to Coast Oyster Array
Wood Roasted Oysters
Iced Shellfish Tower
Stone Crab Claws

Market Fresh Fish

12-15 Species of Fish
Served daily with chef inspired preparations as well as, classic citrus and oak wood fire grilled and blackened

Steaks, Chops

Boneless New York Strip 18 oz.
Kansas City Strip Steak 20 oz.
Filet Mignon 12-13 oz.
Oscar Mignon
Prime Ribeye 24 oz.
Veal T-Bone 24 oz.
Grilled Pork Chops
Shanghai Duck Breast
Hawaiian-Style Double Chicken Breast

Moonfish

7525 W Sand Lake Rd, Orlando
(407) 363-7262



Hospitality Suite Information:

The hospitality suite for the 2013 USBC is room 1122 in the Tower building. Players, kibitzers, friends and supporters are welcome in the Hospitality Suite during the tournament. Please join hostesses Lisa Berkowitz & Molly O'Neill for:

Breakfast each day from 8:30-10:00 am

Lunch on Wednesday-Sunday from 2:30-4:00.

Vugraph, casual chit chat, drinks & snacks during the rest of the playing hours and for a short time after the end of the day.

NOTE: on Friday-Tuesday, we have arranged with the hotel to have a buffet lunch available at the break between sessions.



Howie and Jack Duel It Out!

Howie Doing...

Not all my teams decided to win...
Baseggio's out and Harris is in!

The head ups are started and well on the way.
Here's how I think the matches will play:

Harris, a barrister, tries home brew stuff.
But Diamond's a jewel that shines in the ruff!

Greco and Hampson came South for the party.
It's adios Morgan and so long to Marty!

Reese goes to pieces but still may survive.
Slow play by others could keep him alive.

Playing a team that does nothing quick,
If he should remain, he'll thank Flash and Nick!

Gordon's challenge is really no joke.
Says Pepsi's the winner and Robinson's Coke!

It's Munday till Sunday since Spector's team's boss...
No one would pick 'gainst Gitelman/Moss.

Blanchard and Hamman go down to Dwyer,
With Kranyak ahead at time to retire.

God's little Aker has done very well,
But kudos in this match will go to Passell.

Since it's still early, I'm not keeping track.
But it goes without saying, I'm better than Jack!

Yours till the day breaks...

Howie!!



Limey Jack...

Limey Jack is outraged by the unspeakably poor grammar and syntax perpetrated by Howie Dung. His rhymes don't, his flair isn't, and style fails.

Here is a nice ode:

The only way that Dung can win
is if he polishes up his cheatin'
He has no class, he has no clue,
In truth he's just a miserable cretin.

Now, on to our affairs. In a series of ho-hum matches, Diamond disposes of Harris to uphold the honour of the four horsemen. Gordon has two edges to his blade. Robinson has yet again come acropper with one of their time honoured collapses and having two lads not yet shaving is not the winning recipe.

Spector sends Kolesnik for a kip (ED note: Nap) as they get set to spend a fortnight in Orlando.

Kranyak with no sponsor looming, playing four handed, all a little dodgy, still manages to fend off Blanchard in their farewell performance.

Mahaffey sends Rigal packing. If he was Regal, it would have been more atwinkle.

Finally a match worth having. The Dung cur will certainly pick the current prevailing team, Milner. Limey Jack says to you that the favourite is actually the underhorse. Weinstein, with all of their strange and outlandish pairs, still will hoist the first pint at the pub.

Limey Jack will be sure to send the Dung One for a well deserved Holiday on his winnings.

Cheers,

LJ



			8		2			
5								1
		6		5		3		
		9		1		8		
1								2
			9		7			
	6	1		3		7	8	
	5						4	
	7	2		4		1	5	

Sudoku 1

Sudoku

Sudoku 2

	4	1	7	2			8	
	3			6				
	7	5	1	3			6	
						2		5
3					1			
		4	8				3	
		9	2				1	
1					5			
						9		7

Answers to Puzzle No Peeking!

Sudoku 2 Solution

7	9	6	9	4	1	6	9	5	7
1	6	7	3	9	5	8	2	4	
4	5	9	2	8	7	3	1	6	
5	9	4	8	7	2	6	3	1	
3	2	6	9	5	1	7	4	8	
7	1	8	6	4	3	2	9	5	
9	7	5	1	3	8	4	6	2	
8	3	2	5	6	4	1	7	9	
6	4	1	7	2	9	5	8	3	

Sudoku 1 Solution

9	7	2	6	4	8	1	5	3	
3	5	8	1	7	9	2	4	6	
4	6	1	2	3	5	7	8	9	
8	3	5	9	2	7	6	1	4	
1	4	7	3	8	6	5	9	2	
6	2	9	5	1	4	8	3	7	
2	9	6	4	5	1	3	7	8	
5	8	4	7	6	3	9	2	1	
7	1	3	8	9	2	4	6	5	

Puzzle Page ... Going Golfing!

Golf

Find and circle all of the golf words that are hidden in the grid.

The remaining letters spell a Mark Twain quotation.

Y D S E E R T P G R E E N G E E B
E E R H O L E S A O T H L R K R A
F C G A S E L U R C C R A C O O L
H D I O Z C H I P A I P A E R C L
F O A L B A T R O S S D S C T S C
L O L I S O H R P B D U N R S S O
A W E E H R P R A I O T O A R S U
G S R S I P E C E H R D E O H O R
S S O S A N K K B T N G U E K R S
T B C W N N O U N O A G B A O G E
I U S I I O L N C U H W I G O F A
C L T N G C R O E O B D R L H F F
K C E G W F A I R W A Y D E A O L
K S N P O E G N A R G N I V I R D
I N I P S K C A B E G D E W L E E
D R E T T U P T O V I D R I V E R

ALBATROSS
APPROACH
BACK NINE
BACKSPIN
BALL
BIRDIE
BOGEY
BUNKER
CADDIE
CART
CHIP

CLUBHOUSE
CLUBS
CONDOR
COURSE
DIVOT
DRIVER
DRIVING
RANGE
EAGLE
FAIRWAY
FLAGSTICK
FORE

GREEN
GRIP
GROSS
SCORE
HANDICAP
HOLE IN ONE
HOLES
HOOK
IRON
NET SCORE
PAR
PUTTER

ROUGH
RULES
SHOT
SLICE
STROKE
SWING
TEE OFF
TREES
WATER
HAZARD
WEDGE
WOOD



Info on next year's United States Bridge Championship ...

The 2014 USBC, which will select USA1 for the 2015 Bermuda Bowl, will be held in Phoenix, starting on Friday, May 9 and most likely ending on Sunday, May 18. The tournament will be held at the Embassy Suites Scottsdale. Room rate is \$139 a night and includes free internet, a hot breakfast, and Embassy Suites' afternoon "Managers' Reception." The Managers' Reception is during play; when Jan told the sales person at Embassy Suites that most of you would be busy at that time, he asked "but couldn't they come out and get a drink and take it in to the table while they're playing?" - made me laugh! The hotel is situated on a golf course that has special rates for hotel guests, for those who want to go a day or two early or get up early some mornings to enjoy golf. For those more interested in shopping, there's a large mall an easy walk from the hotel.

Phoenix is the largest Southwest hub in the country, so there are many flights to Phoenix from anyplace that Southwest flies, with the huge advantage that you can change the date of your return flight with no extra fee. We hope this will be a great place for the 2014 USBC.

World Youth Bridge Open Championship in Atlanta

The WBF, with support from the ACBL, the USBF, the MABC, ACBL District 7, ACBL District 9, private donors from around the bridge world, and the Common Game Bridge Club in Florida, will hold the 3rd World Youth Bridge Open Championship in Atlanta this summer. The complete schedule of play is posted on the WBF website.

Thanks to the generous support of MABC and District 7, all participants will be provided with lunch and dinner each day. Entries are due by July 1, although the organizers will try to accommodate late entrants. All players must be born in 1988 or later; there are no residence or nationality requirements.

Participants will be treated to an Atlanta Braves Game.

While in Florida, visit The Common Game ... Theirs and others generosity made possible much of the great hospitality planned for the Juniors in Atlanta!!

United States Women's and Seniors' Bridge Championships Information

The 2013 USWBC and the 2013 USSBC will be held at the Buena Vista Palace, in Orlando, FL, starting on Friday, July 12th. The USWBC will probably ending on Thursday, July 18th; The USSBC will probably end Saturday, July 20. The room rate for both events is \$129 per night, including internet and the hotel's "resort fee." To make reservations online, go to our designated reservation page. To make reservations by phone, call 866-397-6516 and mention USBF. If you have any problem making a reservation, email Jan and she will try to straighten it out.

SENIOR ENTRY INFORMATION

To enter, log into the USBF site and click on "Enter Senior Trials" under the User Menu, then follow instructions. To guarantee that you will be allowed to play, you must enter on or before Friday, June 14, 2013. Additional entries will be accepted until Friday, June 21st, but only if they improve the format of the event.

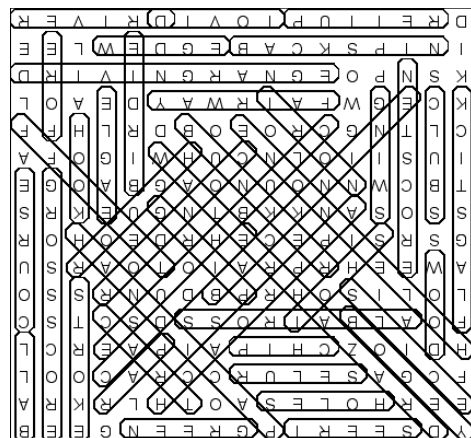
WOMEN'S ENTRY INFORMATION

To enter, log into the USBF site and click on "Enter Women's Trials" under the User Menu, then follow instructions. To guarantee that you will be allowed to play, you must enter on or before Monday, June 3, 2013. Additional entries will be accepted until Monday, June 24th, but only if they do not change the format of the event.



Solution to Puzzle on Page 11

The hidden message is: GOLF IS A GOOD WALK SPOILED





The Break Room



David Yang, Jan Martel, Jim Munday, Alex Kolesnik



Hospitality Chair, Lisa Berkowitz, daughter, Dana, and Barry Rigal



Chris Compton



Gary Cohler (in a rare moment, no cigar! And David Berkowitz in the Hospitality Suite, 1122



Baseggio Team comparing scores

Welcome to the Teams Who arrived yesterday!



Jiang Gu, Tommy Carmichael, Walter Lee and David Grainger

(continued from page 5)

Board 70
Dealer: E
E/W Vul.

♠ A97
♥ Q8432
♦ 97
♣ AQ9

♠ J864
♥ 965
♦ 863
♣ J62



♠ QT53
♥ J
♦ JT2
♣ K8753

♠ K2
♥ AKT7
♦ AKQ54
♣ T4

Baseggio	Morris	Stark	Etter
		Pass	1D
Pass	1H	Pass	4H
Pass	4S (RKC)	Pass	4NT (0 or 3)
Pass	5S (king ask)	Pass	7D
Pass	7H	All Pass	

Finally, it was North-South's turn to shine.

On Board 70, Morris-Simson bid to a cold seven hearts on the auction shown.

The five spade bid guaranteed all the Keycards and the queen of trumps.

Simson's diamond suit was a little weak for the seven diamond bid. It seems that a direct seven heart bid would not risk a potential bad guess by partner.

All's well that ends well, North corrected to seven hearts and there was little to the play. Making 1510!